



Ludwig[®]
ULTIMATE
MARCH TO THE BEAT OF A NEW DRUM

“THE MOST FAMOUS NAME ON DRUMS”

RETURNS TO THE FIELD

From our humble Chicago beginnings to our current Charlotte headquarters, Ludwig has spanned over 100 years of American drum manufacturing. As one of the most respected names in drums, Ludwig has captured a total of 10 Drum Corps International drum titles with Spirit of Atlanta, The Bridgemen, and The Blue Devils Drum & Bugle Corps.

We're proud to continue this excellence with the introduction of our new line of marching percussion. We've combined the legendary Ludwig sound with stronger and lighter materials to meet the contemporary marching ensemble's needs.

Prepare yourself for the “Ultimate” in marching percussion.

LUDWIG® 
ULTIMATE





LUDWIG

LUDWIG ULTIMATE SNARE

The Ludwig Ultimate snare drum takes the exiting Free-Floater model to a whole new level. Designed to meet today's marching demands, the Ultimate snare drum allows the player to achieve clean and crisp articulations with minimal weight. The secret is in the lightweight aluminum hardware that secures the heads, allowing the thick 8-ply Maple shell to be completely suspended for exceptional projection and resonance.







LUMS14PB 12x14"

FINISHES

Stock black (B), white (W), and silver (S) laminate finishes are integrated into the shell molding process, making them the most durable finish on the market.

Custom lacquer finishes available via special order.



LUMS14PW 12x14"



LUMS14PS 12x14"

SNARE GUT

16 individually adjustable and removable snare guts allow for a customized sound.

SNARE GUARD

Stabilizing steel snare guards protect the snare unit while supplying safe and balanced support.

WEIGHT

8-ply shell and lightweight frame combine for a total weight of only 15.6 lbs. A 20% reduction over the previous model.



HARDWARE

Lightweight polished aluminum hardware gives the drum a finished look while offering maximum strength and durability. Steel mounting brackets feature key rod fasteners, reducing the chance of stripping the adjustment.



SHELL

8-ply, 100% North American Maple. Maple shells offer a high level of sensitivity, a dynamic tuning range, and a sharp attack, making them the perfect fit for the marching arts.



BEARING EDGE

Each snare side bearing edge is a 45-degree inner cut with a 1/8" radius round over. This edge is hand-sanded to the craftsman's touch to assure a smooth, even, flat surface for easy head seating; the final touch to complete the unmistakable Ludwig Sound.

RFST MOLDING

To increase stability throughout the drum, all Ludwig Ultimate shells are produced using our exclusive Radio Frequency Shell Technology. Utilizing our original bladder molds and a specialized adhesive, the RFST process allows the shell to cure evenly across the entire surface. This is a principal ingredient in creating the Ludwig Sound.

REINFORCEMENT RING

A 5-ply, 1.5" wide maple reinforcement ring adds superior support and shape integrity to the shell.



LUDWIG ULTIMATE TENORS

Deeper all-maple shells, new hardware, and a new diagonal cut drive the tenors for the “Ultimate” in projection, tone, and durability.







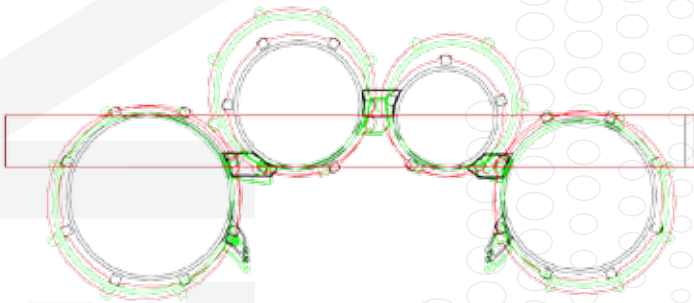
RANDALL MAY INTERNATIONAL, INC™

Free Floating Lug Bridge

Patent No. 9,214, 142 **FFLB™** other patents pending

RANDALL MAY FREE-FLOATING LUG BRIDGE

- Installs without drilling into the shell
- Enhanced sonic properties created from nodal point lug casing attachment location
- FFLB™ suspends the tenor array while eliminating unwanted shell to shell point load compression
- Tenor drums are aligned to the preferred sweet spots, promoting correct playing technique
- Sweet spot positions are identical between small and large arrays, for maintaining muscle memory
- Tenor array is perfectly flat, eliminating potential sag with drums 3 & 4
- Reconfiguring large or small arrays requires only one additional drum and the appropriate FFLB set
- FFLB further reduces weight



DRUM SIZES

6x6"	Flat Cut
7x8"	Flat Cut
9x8"	Angle Cut
10x10"	Angle Cut
11.5x12"	Angle Cut
12.5x13"	Angle Cut
13x14"	Angle Cut

TENOR CONFIGURATIONS

LUMT8023PX	Quad	8"/10"/12"/13"	22.3 lbs
LUMT0234PX	Quad	10"/12"/13"/14"	25.9 lbs
LUMT68023PX	Quint	6"/8"/10"/12"/13"	25.0 lbs
LUMT60234PX	Quint	6"/10"/12"/13"/14"	28.6 lbs
LUMT660234PX	Sextet	6"/6"/10"/12"/13"/14"	31.4 lbs
LUMT680234PX	Sextet	6"/8"/10"/12"/13"/14"	32.4 lbs



LUMT60234PB
6"/10"/12"/13"/14"

HARDWARE

The redesigned aluminum casing includes a smaller profile and a 60% reduction in weight, all while maintaining the signature Ludwig look.

2.3mm steel hoops and 6mm steel key rods offer the best in durability and flash.

WEIGHT

The all-new aluminum casing and the FFLB technology combine for a 4 pound weight reduction, making Ludwig Ultimate one of the lightest and most durable tenor sets on the market.

FINISHES

Stock black (B), white (W), and silver (S) laminate finishes are integrated into the shell molding process, making them the most durable finish on the market.

Custom lacquer finishes available via special order.



ALL LUDWIG ULTIMATE TENORS SHIP PRE-ASSEMBLED



SHELL

6-ply, 100% North American Maple. Maple shells offer a high level of sensitivity, a dynamic tuning range, and a sharp attack, making them the perfect fit for the marching arts.



BEARING EDGE

Each tenor bearing edge is a 45-degree inner cut with a 1/8" radius round over. This edge is hand-sanded to the craftsman's touch to assure a smooth, even, flat surface for easy head seating; the final touch to complete the unmistakable Ludwig Sound.

RFST MOLDING

To increase stability throughout the drum, all Ludwig Ultimate shells are produced using our exclusive Radio Frequency Shell Technology. Utilizing our original bladder molds and a specialized adhesive, the RFST process allows the shell to cure evenly across the entire surface. This is a principal ingredient in creating the Ludwig Sound.

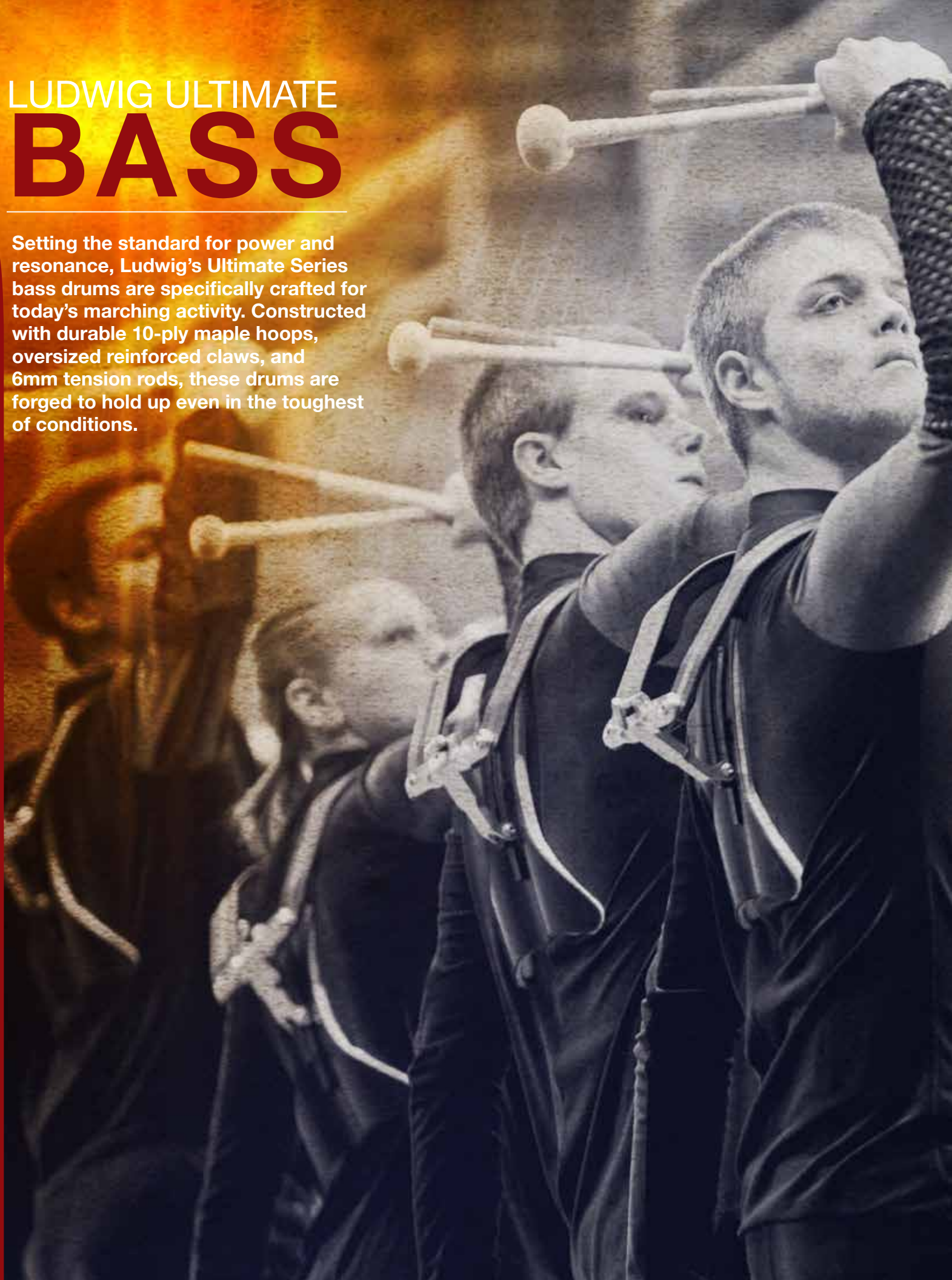
REINFORCEMENT RING

A 5-ply, 1.5" wide maple reinforcement ring adds superior support and shape integrity to the shell.



LUDWIG ULTIMATE BASS

Setting the standard for power and resonance, Ludwig's Ultimate Series bass drums are specifically crafted for today's marching activity. Constructed with durable 10-ply maple hoops, oversized reinforced claws, and 6mm tension rods, these drums are forged to hold up even in the toughest of conditions.





LUDWIG

REMO
MADE IN THE USA



LUMB24PB
14x24"



FINISHES

Stock black (B), white (W), and silver (S) laminate finishes are integrated into the shell molding process, making them the most durable finish on the market.

Custom lacquer finishes available via special order.

HARDWARE

The redesigned casing includes a smaller profile and a 60% reduction in weight. All while maintaining the signature Ludwig look.

DRUM SIZES

LUMB16PX	14X16"	14.4 lbs
LUMB18PX	14X18"	15.6 lbs
LUMB20PX	14X20"	18.0 lbs
LUMB22PX	14X22"	18.9 lbs
LUMB24PX	14X24"	20.5 lbs
LUMB26PX	14X26"	21.4 lbs
LUMB28PX	14X28"	22.5 lbs
LUMB30PX	16X30"	25.3 lbs
LUMB32PX	16X32"	26.6 lbs

SHELL

6-ply, 100% North American Maple. Maple shells offer a high level of sensitivity, a dynamic tuning range, and a sharp attack, making them the perfect fit for the marching arts.

BEARING EDGE

Each bass bearing edge is a 45-degree inner cut with a 1/8" radius round over. This edge is hand-sanded to the craftsman's touch to assure a smooth, even, flat surface for easy head seating; the final touch to complete the unmistakable Ludwig Sound.

RFST MOLDING

To increase stability throughout the drum, all Ludwig Ultimate shells are produced using our exclusive Radio Frequency Shell Technology. Utilizing our original bladder molds and a specialized adhesive, the RFST process allows the shell to cure evenly across the entire surface. This is a principal ingredient in creating the Ludwig Sound.



LUDWIG ULTIMATE MARCHING ACCESSORIES

CASES/COVERS

To ensure protection of your investment, Ludwig cases and covers are designed to provide unparalleled durability and protection from the elements.



SOUND PROJECTOR

Ludwig's Sound Projector or "Scoop" can be fitted to any 12 lug marching snare drum. The mylar film curves around the back side of the drum providing great front projection. Available in black and white.

WHITE - LMSPW
BLACK - LMSPB

DRUM COVERS

12x14" Snare	LUCS14
Small Tenor (6"/8"/10"/12"/13")	LUCTSM
Large Tenor (6"/10"/12"/13"/14")	LUCTLG
14x16" Bass	LUCB16
14x18" Bass	LUCB18
14x20" Bass	LUCB20
14x22" Bass	LUCB22
14x24" Bass	LUCB24
14x26" Bass	LUCB26
14x28" Bass	LUCB28
16x30" Bass	LUCB30
16x32" Bass	LUCB32

DRUM CASES

12x14" Snare	LP00C
Small Tenor (6"/8"/10"/12"/13")	LP01C
Large Tenor (6"/10"/12"/13"/14")	LP02C
14x16" Bass	LP66C
14x18" Bass	LP68C
14x20" Bass	LP20C
14x22" Bass	LP22C
14x24" Bass	LP24C
14x26" Bass	LP26C
14x28" Bass	LP28C
16x30" Bass	LP30C
16x32" Bass	LP32C



**BLACK STANDARD
BASS SLING**
LF350B

**WHITE STANDARD
BASS SLING**
LF350W



MARCHING DRUMSTICK AND Mallet HOLDER

Perfect for marching snares and tenors, these durable bags can hold 1 or 2 pairs of sticks or mallets.

SINGLE MARCHING STICK BAG - LMSB1
DOUBLE MARCHING STICK BAG - LMSB2



**Mallet Holder with
BUILT-IN RIM GUARD**
LF200CLW



**BLACK SNARE
DRUM SLING**
LF382B



**WHITE SNARE
DRUM SLING**
LF382W

LUDWIG ULTIMATE MARCHING HARDWARE

M

RANDALL MAY INTERNATIONAL™



MONOPOSTO®/BIPOSTO™ CARRIERS

These carriers by MAY provide freedom of movement, with ergonomic comfort. Available with the Mono-Post for Snare and Bass Drum, and Bi-Post for Tenors. All Posto Carriers feature the MAY patented Articulating Back Support system (ABS™) with auto-release, Contour Hinge™, and Multi-axis shoulder adjustments to conform to all body types, creating the ULTIMATE in comfort, stability, and control.

The REDUCED SIZE (Petite) Auto-Release ABS Posto Series Carriers are specifically designed for smaller framed players, having all of the features and benefits of our standard size versions. Shoulder Members are scaled down to a shorter length with a smaller radius, and the ABS is repositioned. The Tubular frame is also shorter and the abdomen plate is inverted.

LIGHTWEIGHT DESIGN

The magnesium shoulders and polymer back supports are padded and designed to provide long-lasting and lightweight comfort.

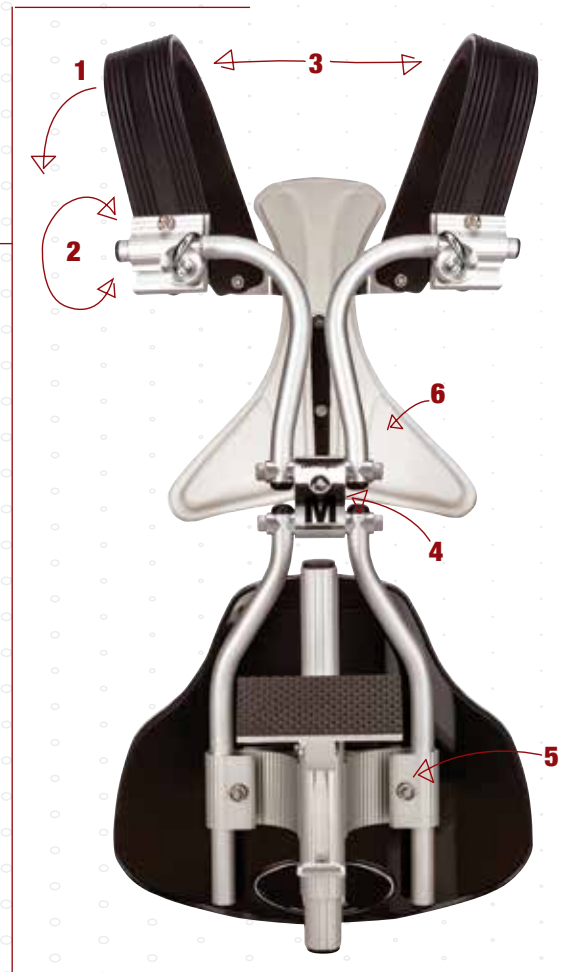
AVAILABLE WITH THE FOLLOWING POSTO CARRIERS

ABS Snare Carrier with Bag	RMABSS-L
ABS Tom Carrier with Bag	RMABSQ-L
ABS Bass Drum Carrier with Bag	RMABSB-L
ABS Petite Snare Carrier with Bag	RMABSSP-L
ABS Petite Tom Carrier with Bag	RMABSQP-L
ABS Petite Bass Drum Carrier with Bag	RMABSBP-L
ABS Carrier Bag*	RMPCB-L

* Carrier Bag available separately

MAY 6-POINT COMFORT ZONE

- 1- SHOULDER CAMBER**
Adjustable pivot points angle to fit the slope of the player's shoulder.
- 2- SHOULDER CASTER**
Clamps rotate up or down to tailor to the profile of the shoulders & chest.
- 3- SHOULDER WIDTH**
Clamps slide on tubes to adjust to the width of the shoulders.
- 4- TORSO CONTOUR**
A multiple joint adjustment - Contour Hinge™ - outlines the player's frame.
- 5- TORSO HEIGHT**
Independent adjustment of abdomen plate to tubular structure; abdomen plate can also be inverted.
- 6- ABS WITH AUTO-RELEASE**
Designed to allow rapid mount and dismount without loosening any of the ABS sizing or Contour fit adjustments. Redistributes unwanted weight off of players' shoulders.



All MAY carriers ship with respective drum mounting hardware.

All MAY™ carries are covered under various patents but not limited to: 5,691,492 6,028,257 6,323,407 6,329,583 6,172,290 6,403,869 6,881,886 7,071,401 RE-42487 7,673,776 7,166,790, 7,420,110 7,326,842 7,810,684 7,394,008 8,053,655 with multiple patents pending.



RANDALL MAY INTERNATIONAL™

NEW REVOLUTION IN DESIGN FROM RANDALL MAY... MAY ABS AUTO-RELEASE™ FOR ALL POSTO SERIES CARRIERS

ARTICULATING BACK SUPPORT™ (ABS™)

MAY patents combine Posto Series, Contour Hinge™, and ABS™ designs to redistribute unwanted weight off of players' shoulders, resulting in comfort and freedom while promoting proper wellness posture.

The ABS Posto design is gender friendly with ultra-lightweight construction, supporting a 1:1 real time extension of performers' increasingly challenging maneuvers. The elimination of J-Rods reduces previous interference issues, thus enhancing ergonomic comfort with complete freedom of movement for maximum performance.



The new ABS Auto-Release feature is designed to allow rapid mount and dismount without loosening any of the ABS sizing or Contour fit adjustments. The auto-release function is standard on all Posto carriers from Ludwig.

When purchased from Ludwig, all Posto Series carriers include our Carry-On Bag, custom designed for maximum product protection and ease of transport.

All MAY carriers ship with respective drum mounting hardware.

All MAY™ carries are covered under various patents but not limited to: 5,691,492 6,028,257 6,323,407 6,329,583 6,172,290 6,403,869 6,881,886 7,071,401 RE-42487 7,673,776 7,166,790, 7,420,110 7,326,842 7,810,684 7,394,008 8,053,655 with multiple patents pending.

LUDWIG ULTIMATE MARCHING HARDWARE



ALUMINUM TUBULAR CARRIERS

These ergonomically designed lightweight carriers are ideal for budget conscious programs looking for MAY quality, comfort, and adjustability. Extended torso adjustment and full shoulder rotation facilitate comfort while the sturdy aluminum construction insures strength and durability.

ALUMINUM TUBULAR CARRIERS

MAY Aluminum Tubular Snare Carrier	RMATS-L
MAY Aluminum Tubular Tenor Carrier	RMATQ-L
MAY Aluminum Tubular Bass Carrier	RMATB-L

AIRCRAFT GRADE ALUMINUM TUBING

Limitless adjustment possibilities are afforded through high-strength, precision-drawn tubing that allows mounting brackets to slide and rotate.

NEW TAPERED AB PLATE

One of the three principle points of contact between player and frame, the newly designed, tapered aluminum abdominal plate (powder coated black) can be inverted, thus enhancing ergonomic comfort with complete freedom of movement for maximum performance.

MAY SHOULDER CONTOUR ADJUSTMENT SYSTEM

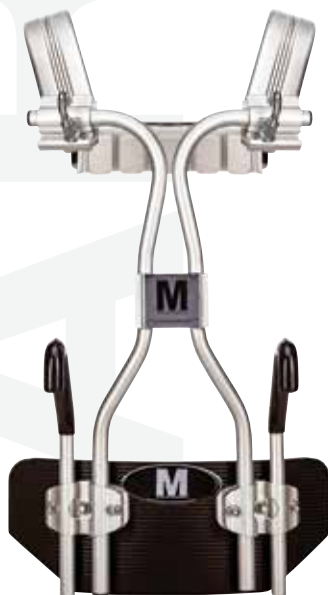
Fully adjustable shoulders and patented backbar supports are designed to change shoulder width, tow-in, camber and caster for ultimate positioning.

MAY TUBE/J-ROD CLAMPS

Patented mounting hardware secures precise adjustments that eliminate slippage and unwanted rotation without excess tube stress. Tubing clamps are used on the shoulder supports and belly plate.

MAY COMFORT CORE™ CUSHIONS

The backbar support area feature the patented bellowing chambers system. A series of foam pads (positioned by Velcro®) provide exceptional player comfort no matter how the carrier is worn or adjusted.



All MAY carriers ship with respective drum mounting hardware.

All MAY™ carries are covered under various patents but not limited to: 5,691,492 6,028,257 6,323,407 6,329,583 6,172,290 6,403,869 6,881,886 7,071,401 RE-42487 7,673,776 7,166,790, 7,420,110 7,326,842 7,810,684 7,394,008 8,053,655 with multiple patents pending.



RANDALL MAY INTERNATIONAL

PATENT #7,718,878 & OTHER PATENTS PENDING

STADIUM HARDWARE™ BY MAY
(FEATURING AIRLIFT AND ATS™ TECHNOLOGY)

Whether in the stands or in the lot, Airlift Stadium Hardware™ by MAY has been designed with the needs of today's marching percussionist in mind. Lightweight durability, ease of mobility, and environmental adaptability help to make life easier for the percussionist on the go.

AIRLIFT TECHNOLOGY

Integrated with an innovative air suspension system, the telescoping tube glides up and down effortlessly ensuring easy set up and positioning of your instrument. 54"-74" height adjustment range.

ATS™ (ADVANCED TRIPOD TECHNOLOGY)

A single leg can adjust independently of the other two legs to ensure stable support of the instrument whether on the field or in the bleachers.



LIGHTWEIGHT DURABILITY

Tempered aircraft aluminum alloy embodiment for an ideally lightweight result without sacrificing strength.

EASE OF MOBILITY

Folding lightweight aluminum tubular structure allows for ease of transportation.

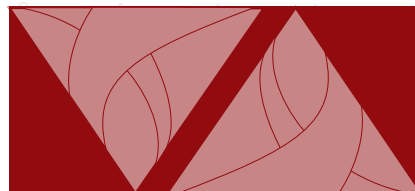
ENVIRONMENT ADAPTABILITY

Height adjustable to maintain proper playing technique and accommodate all players regardless of the stand's environment.

STADIUM HARDWARE™ BY MAY	
MAY AIRlift Snare Stand	RMSHSA-L
MAY AIRlift Tenor Stand	RMSHQA-L
MAY AIRlift Bass Stand	RMSHBA-L

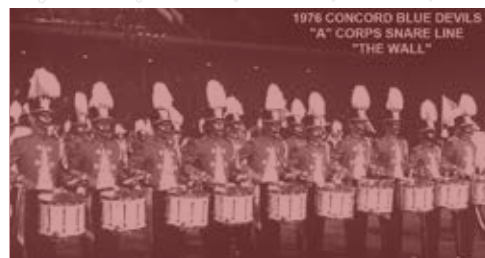
All MAY Stadium Hardware Stands and May Airlift are covered under various patents but not limited to : 7,703,725 7,588,228 7,438,266 7,718,878 8,633,365 9,377,158 with other patents pending.

ULTIMATE 



“THE MOST FAMOUS NAME ON DRUMS”
RETURNS TO THE FIELD

SNARE • TENORS • BASS • HARDWARE • ACCESSORIES



AV2LU505 REV 07/16

Ludwig® 
ULTIMATE

WWW.LUDWIG-DRUMS.COM

connect: @LudwigHQ    